



WS/SU (2nd Gen) Parts & Kit List

LEYBOLD WS/SU EXPLODED VIEW
 Models 151, 251, 501
 Items supplied by
 GasFlo Products Inc

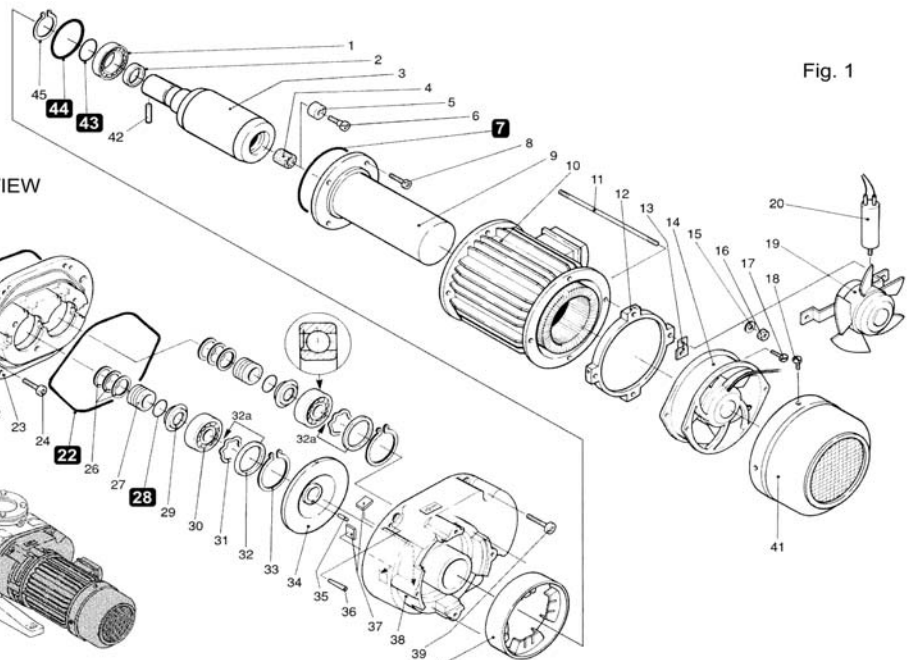


Fig. 1

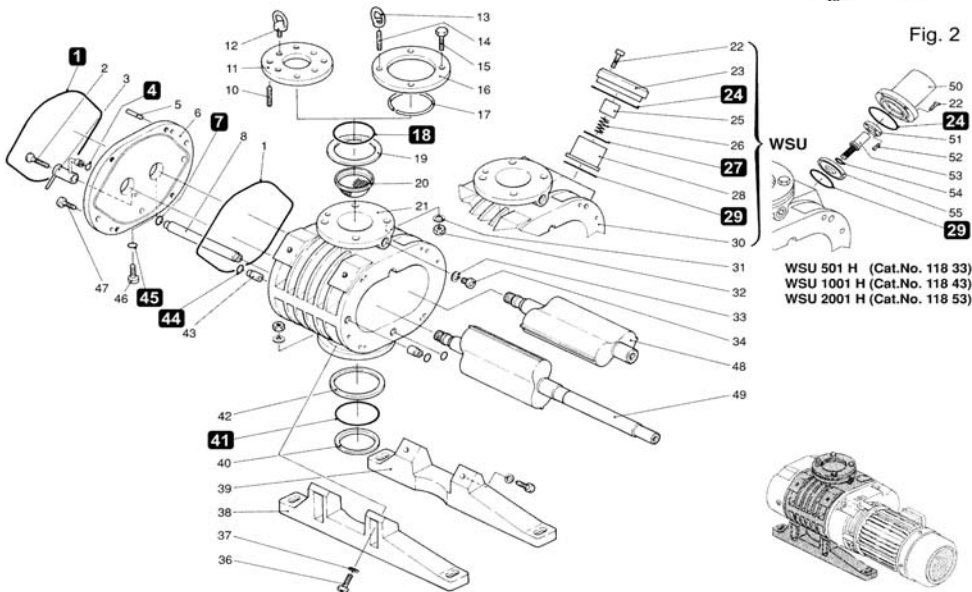


Fig. 2

WSU 501 H (Cat.No. 118 33)
 WSU 1001 H (Cat.No. 118 43)
 WSU 2001 H (Cat.No. 118 53)

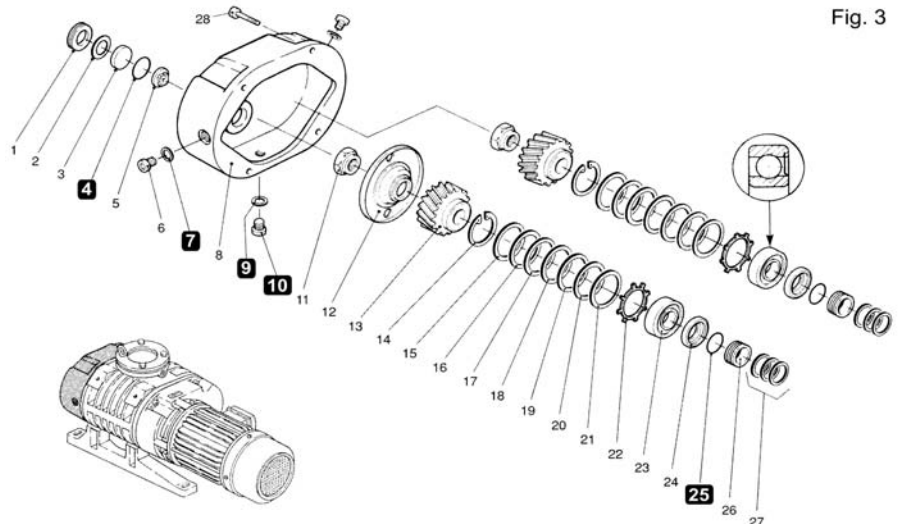


Fig. 3



WS/SU (2nd Gen) Parts & Kit List

part nr.	description	dwg#	151 & 251 19462	501 19466	1001 19470	2001 19474
20013532	O RING, VITON	1.07	1			
23970411	O RING, VITON	1.07		1		
23970507	O RING, VITON	1.07			1	1
23970124	O RING, VITON	1.22, 2.01				4
23970432	O RING, VITON	1.22, 2.01		4		
23970433	O RING, VITON	1.22, 2.01			4	
23970424	O RING, VITON	1.22, 2.01, 2.24(2001)	4			1
23970191	O RING, VITON	1.28, 3.25	4			
23970416	O RING, VITON	1.28, 3.25				4
23970435	O RING, VITON	1.28, 3.25			4	
23970415	O RING, VITON	1.28, 3.25, 1.43(151)	1	4		
20013975	O RING, VITON	1.43(501), 3.04	1	2	1	1
23970211	O RING, VITON	1.43				1
23970304	O RING, VITON	1.43			1	
23970302	O RING, VITON	1.44(1001), 2.24	1	1	1	
23970149	O RING, VITON	2.04, 2.45	2	2	2	2
23970111	O RING, VITON	2.07, 2.44	4	4		
23970154	O RING, VITON	2.07, 2.44			4	4
23970510	O RING, VITON	2.18	1	1		
23970511	O RING, VITON	2.18			1	
23970512	O RING, VITON	2.18				1
23970142	O RING, VITON	2.24			1	
23970129	O RING, VITON	2.24, 2.27, 2.29	2	1		
23970127	O RING, VITON	2.27, 2.29	2			
23970139	O RING, VITON	2.27, 2.29			2	
23970419	O RING, VITON	2.27				1
23970504	O RING, VITON	2.27		1		
23970127	O RING, VITON	2.29	1			
23970526	O RING, VITON	2.29				1
23970136	O RING, VITON	2.41	1	1		
23955165	GASKET, VITON	3.07, 3.09	5	5	5	5
Other Available Components						
20127105	SCREW, PLUG	3.10	2	2	2	2