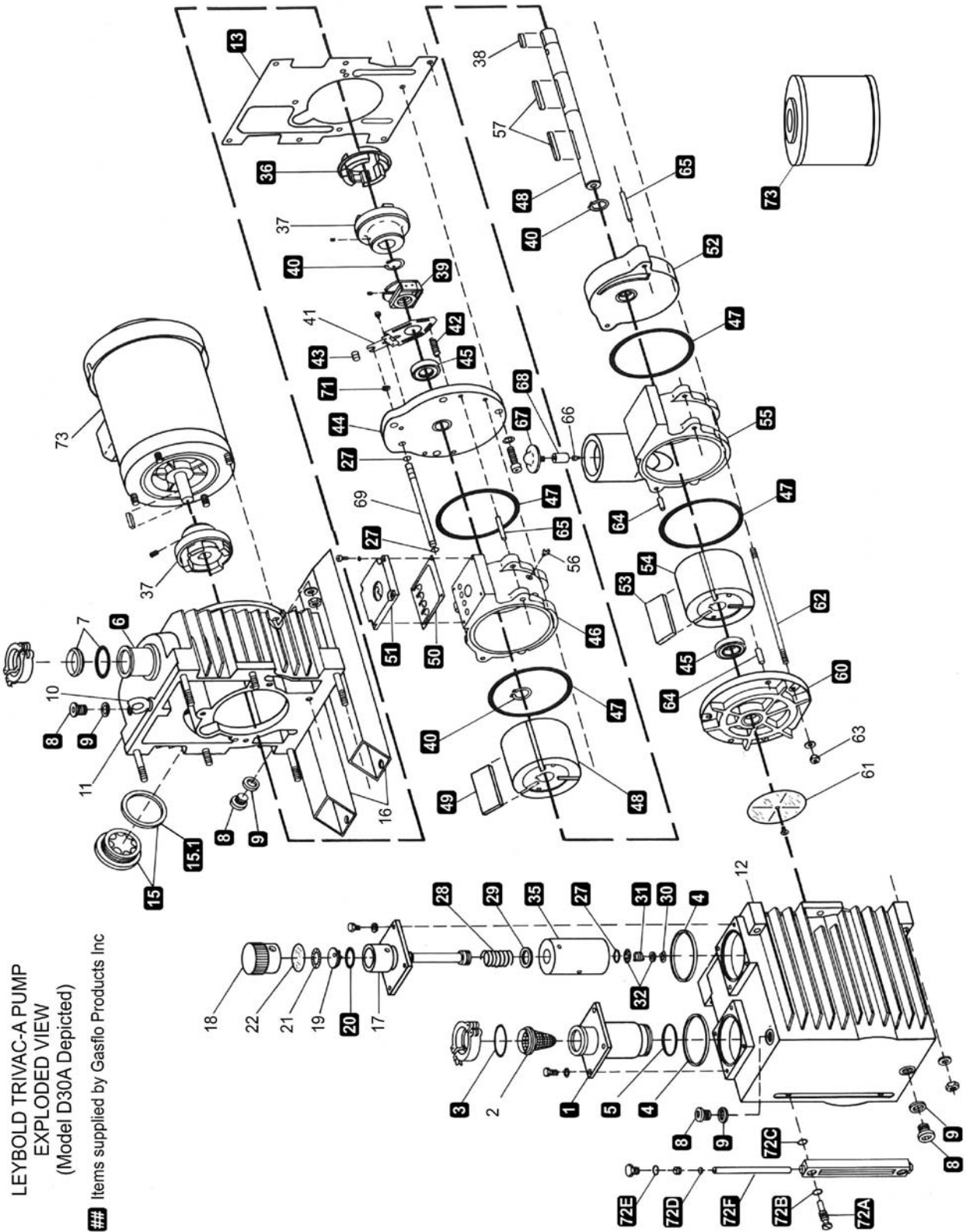




# S8A, D8A/AC, S16A, S16A/AC Parts & Kit List



LEYBOLD TRIVAC-A PUMP  
EXPLODED VIEW  
(Model D30A Depicted)

## Items supplied by Gasflo Products Inc



# S8A, D8A/AC, S16A, S16A/AC Parts & Kit List

part nr.	description	pkg qty	Dwg#	Qty					
					All	S8A	D8A	S16A	D16A
23970506	O RING, VITON	2-pack	3	2	2	2	2	2	2
23820156	GASKET, INTAKE/EXHAUST	2-pack	4	2	2	2	2	2	2
23970117	O RING, VITON	1	5	1	1	1	1	1	1
23955165	GASKET, VITON	5-pack	9	5	5	5	5	5	5
20010725	GASKET, CASE	1	13	1	1	1	1	1	1
23955171	GASKET, SIGHT GLASS	1	15.1	1	1	1	1	1	1
23970436	O RING, VITON	1	20	1	1	1	1	1	1
23970148	O RING, VITON	1	27	3	3	3	3	3	3
23925226	GASKET, GAS BALLAST	1	29	1	1	1	1	1	1
39026117	FILTER, OIL	1	35	1	1	1	1	1	1
70100147	COUPLING ELEMENT	1	36	1	1	1	1	1	1
23973131	NIB, ASB BUNA	1	43	1	1	1	1	1	1
23973131 V	NIB, ASB VITON	1	43	1	1	1	1	1	1
23953142	SEAL, SHAFT VITON	2-pack	45	2	2	2	2	2	2
23970156	O RING, VITON	4-pack	47	4	4	4	4	4	4
40050135	VALVE, VITON	1	58	1	1	1	1	1	1
40050139	VALVE, DISC ASB VITON	1	67	1	1	1	1	1	1
72590001	GASKET, FLAT	2-pack	72B	2	2	2	2	2	2
72591001	O RING, VITON	2-pack	72C	2	2	2	2	2	2
72590000	GASKET, VITON	2-pack	72D	2	2	2	2	2	2
72591000	O RING, VITON	2-pack	72E	2	2	2	2	2	2
20127105	SCREW, PLUG	4-pack	8	4		4	4	4	4
22162143	SPRING, FILTER S.S.	1	28	1		1	1	1	1
23103104	RING, RETAINING	1	40	1		1	1	1	1
22162141	SPRING, S.S.	1	42	1		1	1	1	1
20010882	VANE	1	49	1		3	6		3
40164116	VALVE, PLATE STAINLESS	1	50	1		1	1		1
40164115	VALVE, PLATE	1	50	1				1	
20010881	VANE, 1ST STAGE	1	53	1				3	3
23105108	RING, RETAINING	1	71	1		1	1	1	1
72000129	BOLT, MOUNTING	2-pack	72A	2		2	2	2	2
<b>Other Spare Parts Available for These Pumps</b>									
43360119	PORT, INTAKE	1	1						
43360117	PORT, EXHAUST	1	6						
52040125	SIGHT GLASS	1	15						
30151137	PLATE, FRONT	1	44						
48121238	ROTOR WITH SHAFT	1	48				X		
48121239	ROTOR WITH SHAFT	1	48						X
48121238 N	ROTOR, 2ND STG (no shaft)	1	48				X		
48121239 N	ROTOR, 2ND STG (no shaft)	1	48						X
40157290	SHAFT	1	48				X		
40157292	SHAFT	1	48						X
26151131	PLATE, CENTER	1	52						
32166123	ROTOR, 1ST STAGE	1	54				X		
32166122	ROTOR, 1ST STAGE	1	54						X
35155130	PLATE, REAR	1	60						
32106104	PIN, PISTON	1	68						
72211003	SIGHT TUBE, REPLACEMENT	1	72F						