



D40 PFPE, D65 PFPE Repair Kits

Fig. 1

LEYBOLD D40PFPE & D65PFPE EXPLODED VIEW

Items supplied by
GasFlo Products Inc

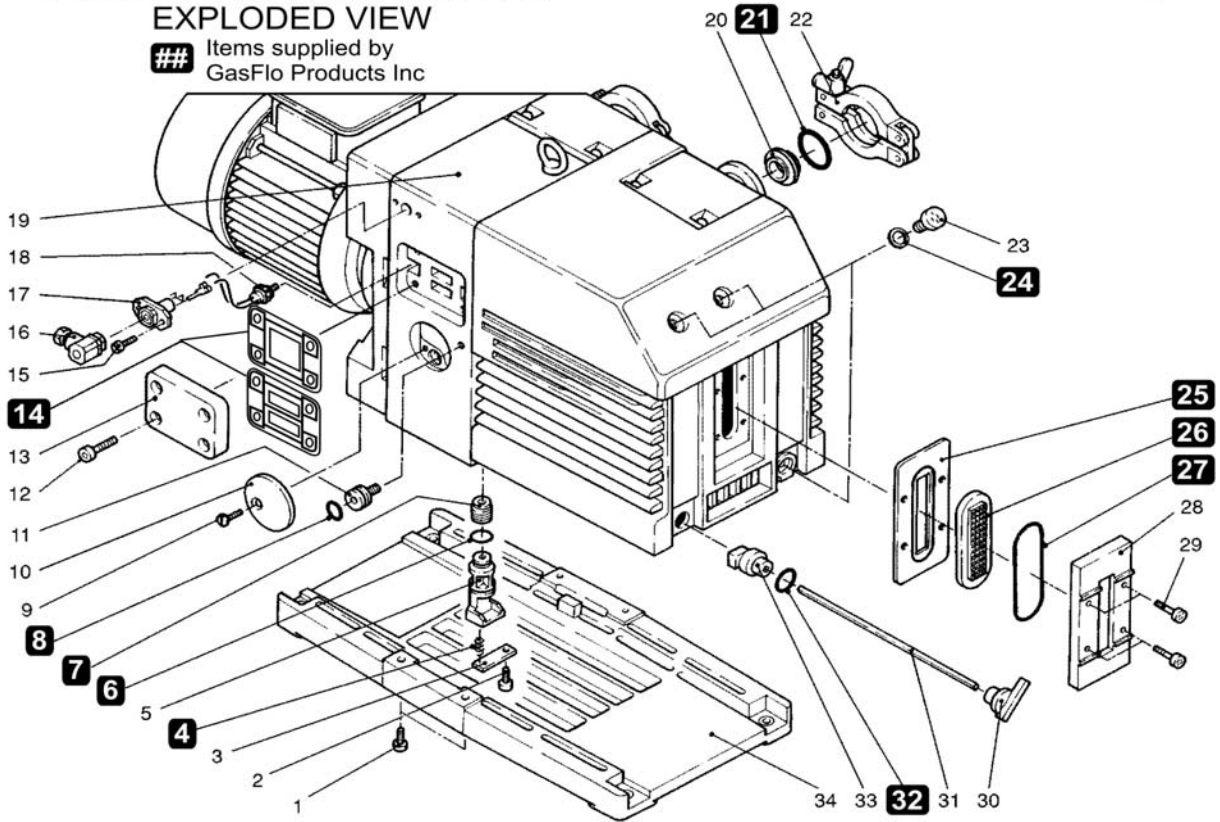
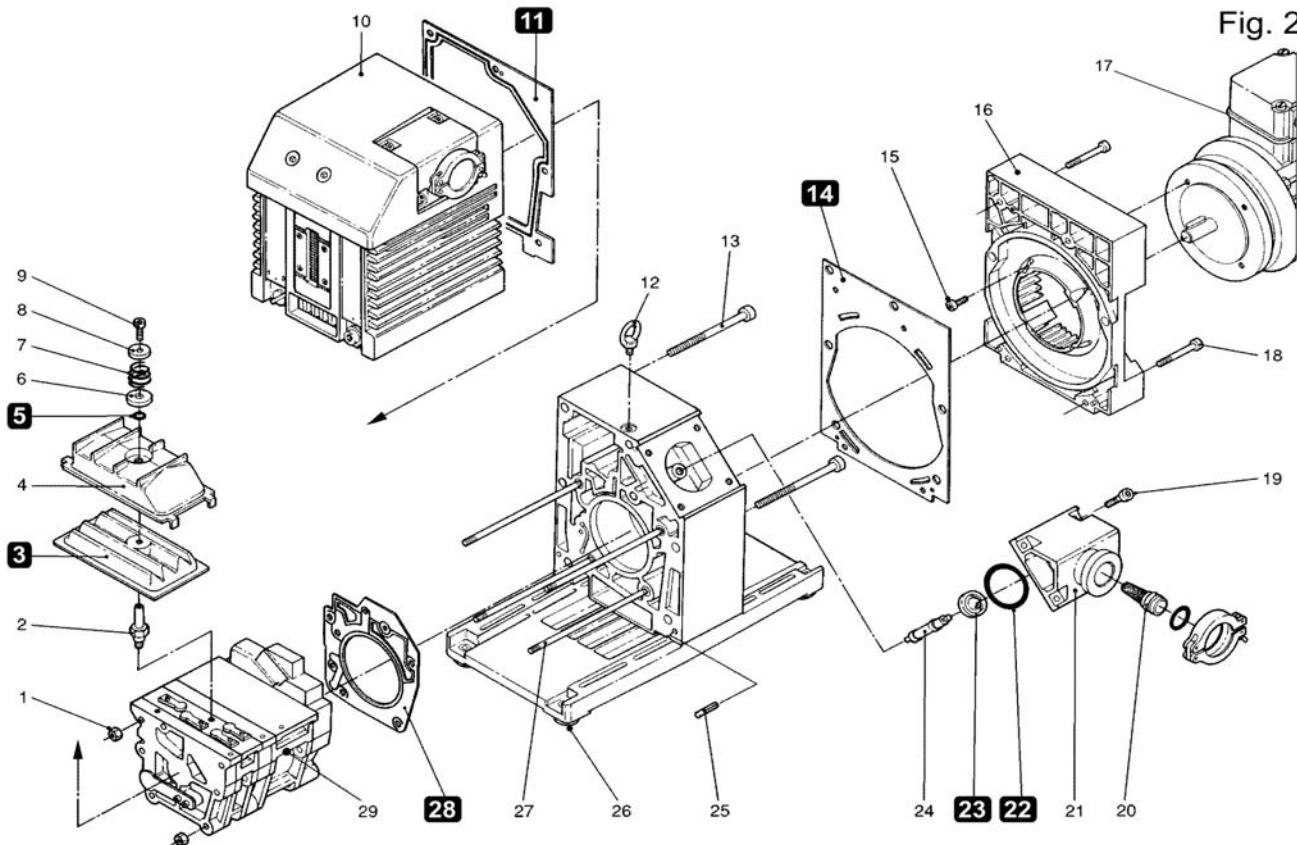


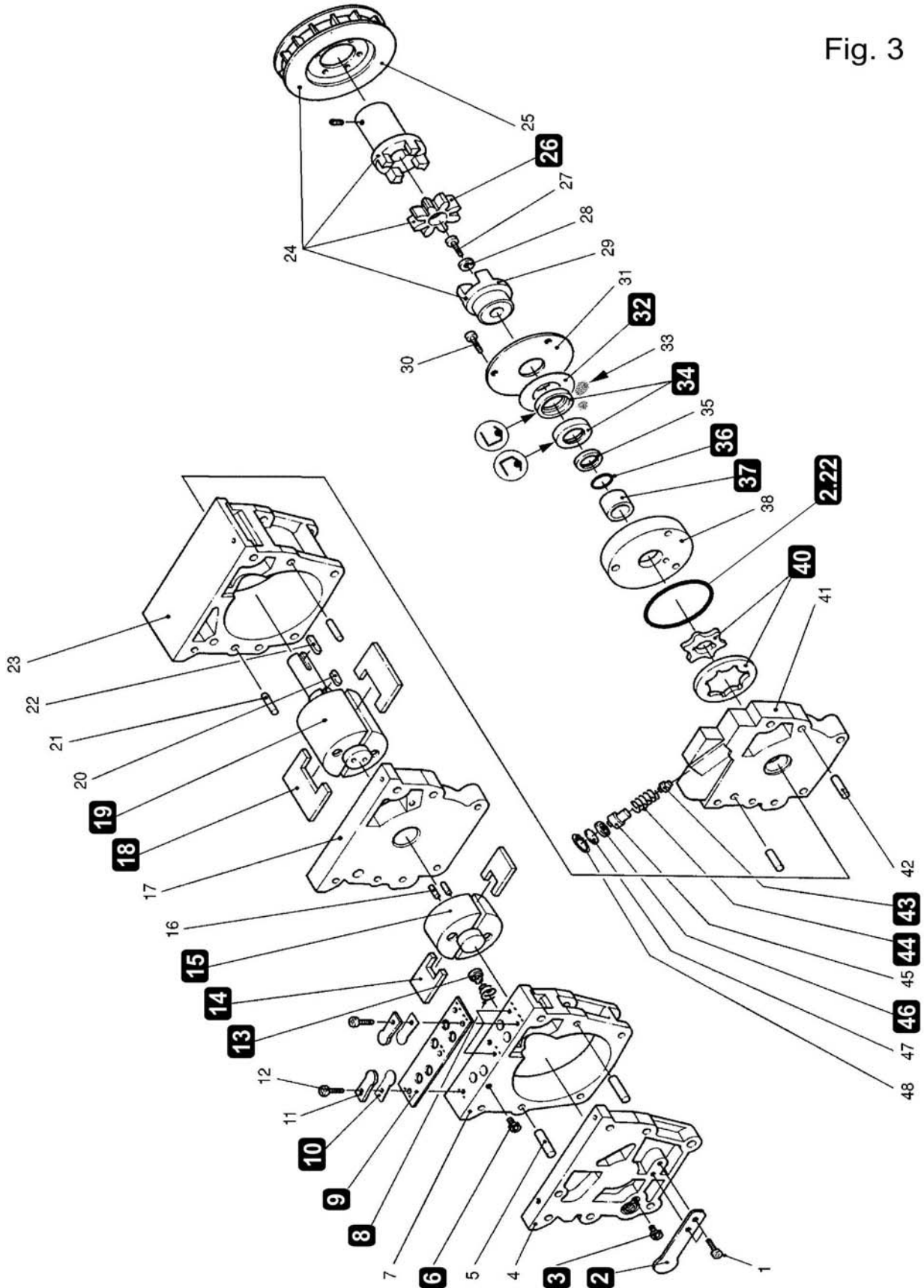
Fig. 2





D40 PFPE, D65 PFPE Repair Kits

Fig. 3





D40 PFPE, D65 PFPE Repair Kits

part nr.	description	pkg qty	Dwg#	D40/65PFPE	D40PFPE	D65PFPE
				Seal Kit 19742	Major Kit 19742D40K	Major Kit 19742D65K
23970147	O RING, VITON	1	1.06	1	1	1
34861029	SEAL, PISTON VITON	1	1.07	1	1	1
23970008	O RING, VITON	1	1.08	1	1	1
20010745	GASKET, COVER	1	1.14	1	1	1
20010746	GASKET, CFS COVER	1	1.14	1	1	1
23970516	O RING, VITON	2-pack	1.21	2	2	2
23955165	GASKET, VITON	5-pack	1.24	5	5	5
20039131	GASKET, SIGHT GLASS	1	1.25	1	1	1
23950121	O RING, BUNA	1	1.27	1	1	1
23970108	O RING, VITON	1	1.32	1	1	1
39026014	FILTER, FELT DEMISTER	1	2.03	1	1	1
23970305	O RING, VITON	1	2.05	1	1	1
20010741	GASKET, OIL CASE	1	2.11	1	1	1
20010743	GASKET, HOUSING	1	2.14	1	1	1
23970223	O RING, VITON	2-pack	2.22	4	4	4
40050140	VALVE, DISC	1	2.23	1	1	1
20010744	GASKET, MODULE	1	2.28	1	1	1
34861028	VALVE, NON-RETURN	1	3.13	1	1	1
20009095	COUPLING ELEMENT	1	3.26	1	1	1
20039108	GASKET, FELT	1	3.32	1	1	1
20039118	SEAL, SHAFT VITON (PFPE)	2-pack	3.34	2	2	2
23970016	O RING, VITON	1	3.36	1	1	1
23973146	SEAL, FLOAT VITON	1	3.43	1	1	1
20010734	GASKET, FLAT	1	3.46	1	1	1
22161041	SPRING, S.S.	1	1.04		1	1
35001179	SIGHT GLASS	1	1.26		1	1
40175023	VALVE, PRESSURE RELIEF	1	3.02		1	1
39350007	NOZZLE, OIL	1	3.03		1	
39350018	NOZZLE, OIL	1	3.03			1
39350019	NOZZLE, SILENCING	1	3.06		1	1
22161031	SPRING, SPLIT , S.S.	1	3.08		1	1
20011245	VALVE, EXHAUST FINGER	4-pack	3.10		4	8
20010653	VANE, 2ND STG PREVAIL	1	3.14		2	
20010652	VANE, 2ND STG PREVAIL	1	3.14			2
20010652	VANE, 1ST STAGE PREVAIL	1	3.18		2	
20010886	VANE, 1ST STAGE PREVAIL	1	3.18			2
23192034	SLEEVE, SHAFT SEAL	1	3.37		1	1
22161040	SPRING, S.S.	1	3.44		1	1
Other Spare Parts Available for These Pumps						
20009136	PLATE, DEFLECTOR	1	3.09			1
20009137	PLATE, DEFLECTOR 3PC	1	3.09		1	
32166170	ROTOR, 2ND STAGE	1	3.15		1	
32166171	ROTOR, 2ND STAGE	1	3.15			1
32166164	ROTOR, 1ST STAGE	1	3.19		1	
32166165	ROTOR, 1ST STAGE	1	3.19			1
32166159	GEROTOR SET	1	3.40		1	1

Note: Leybold BCS pumps after serial nr L931300000 are for PFPE service. Use repair kits 19472, etc. A kit, p/n 20039116, is available to convert hydrocarbon service BCS pumps to PFPE service. Gasflo supplies repair kits for both styles of pumps. Hydrocarbon service BCS pumps accept shaft seal nr. 23953007, while PFPE service BCS pumps accept shaft seal 20039118.