



# S & D16/25 B Parts & Kit Lists

LEYBOLD D16B & D25B PUMP  
EXPLODED VIEW

## Items supplied by GasFlo Products Inc

Fig. 1

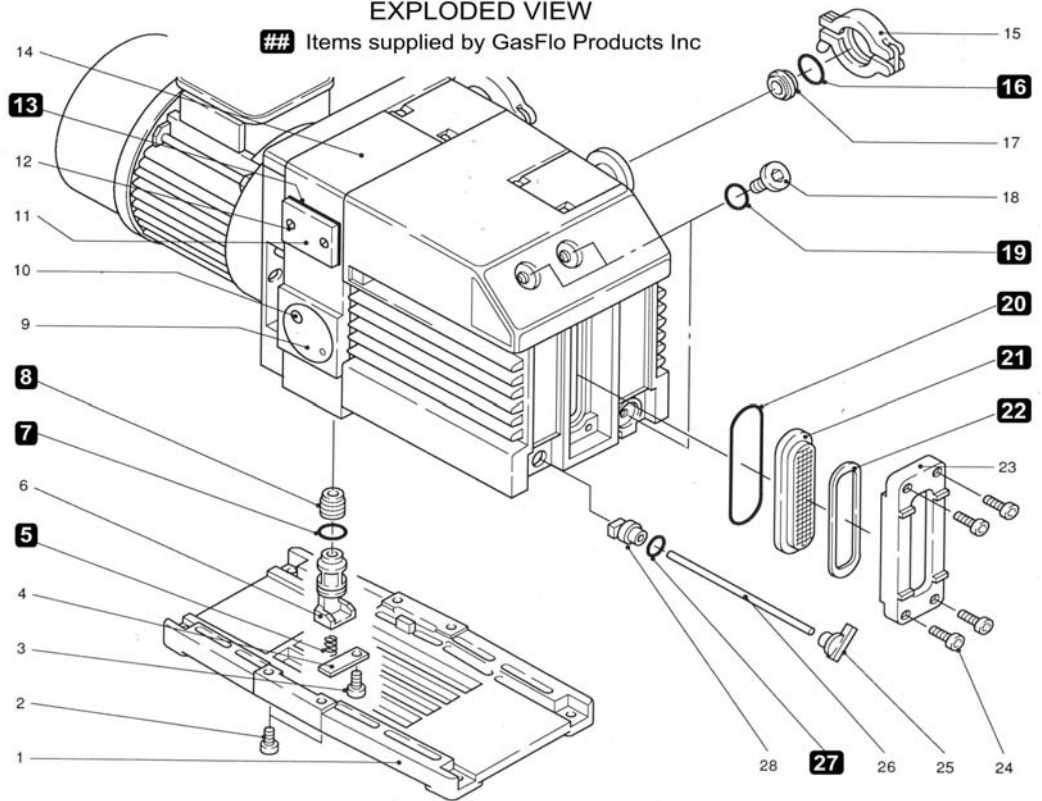
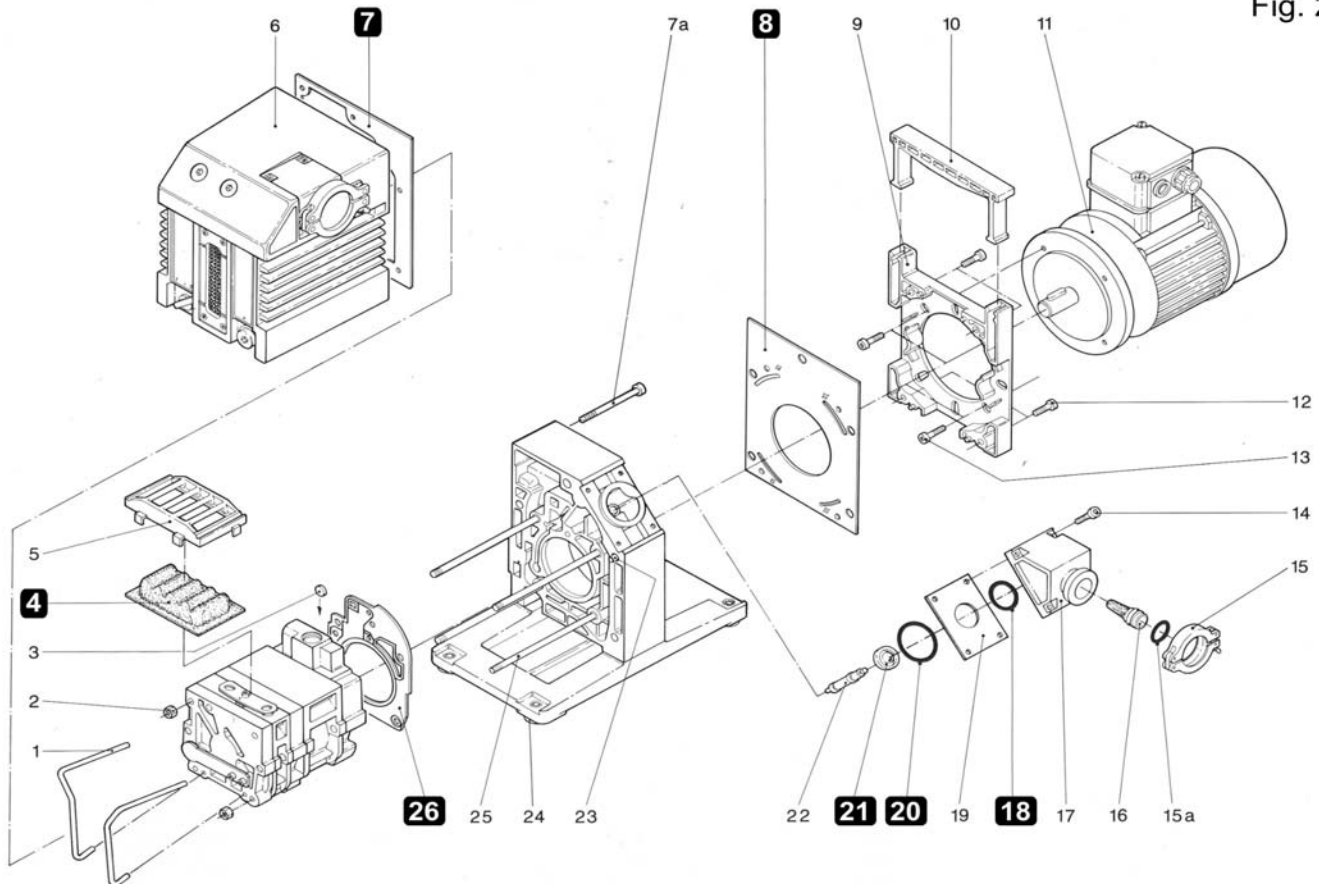


Fig. 2



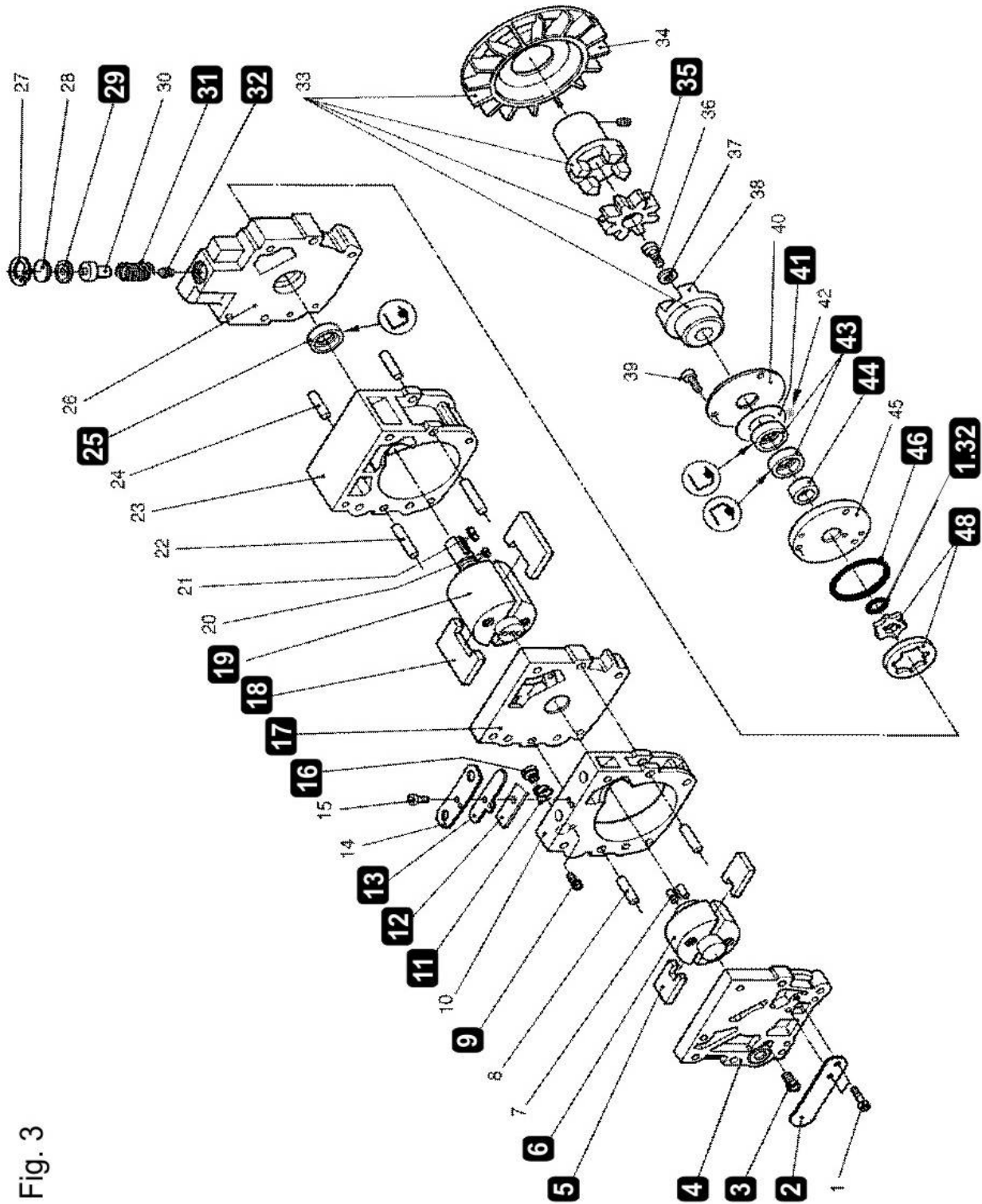


Fig. 3



# S & D16/25 B Parts & Kit Lists

part nr.	description	pkg qty	Dwg#	19721D16G			19721S16K			19721D16K			19721D25G			19721S25K			19721D25K		
				Gasket S/D16B	Major S16B	Major D16B	Gasket S/D25B	Major S25B	Major D25B	Gasket S/D25B	Major S25B	Major D25B	Gasket S/D25B	Major S25B	Major D25B	Gasket S/D25B	Major S25B	Major D25B			
23970147	O RING, VITON	1	1.07	1	1	1	1	1	1	1	1	1	1	1	1	1	1	1	1	1	1
34861029	SEAL, PISTON VITON	1	1.08	1	1	1	1	1	1	1	1	1	1	1	1	1	1	1	1	1	1
20010732 B	GASKET, CFS (W/BAR)	1	1.13	1	1	1	1	1	1	1	1	1	1	1	1	1	1	1	1	1	1
20010732	GASKET, COVER	1	1.13	1	1	1	1	1	1	1	1	1	1	1	1	1	1	1	1	1	1
23970506	O RING, VITON	2	1.16	2	2	2	2	2	2	2	2	2	2	2	2	2	2	2	2	2	2
23955165	GASKET, VITON	5	1.19	5	5	5	5	5	5	5	5	5	5	5	5	5	5	5	5	5	5
23970509	O RING, VITON	1	1.20	1	1	1	1	1	1	1	1	1	1	1	1	1	1	1	1	1	1
20012257	GASKET, SIGHT GLASS	1	1.22	1	1	1	1	1	1	1	1	1	1	1	1	1	1	1	1	1	1
39026012	FILTER, FELT DEMISTER	1	2.04	1	1	1															
39026013	FILTER, FELT DEMISTER	1	2.04				1	1	1												
20010737	GASKET, CASE	1	2.07	1	1	1	1	1	1	1	1	1	1	1	1	1	1	1	1	1	1
20010738	GASKET, COUPLING HSNB	1	2.08	1	1	1	1	1	1	1	1	1	1	1	1	1	1	1	1	1	1
23970304	O RING, VITON	1	2.18	2	2	2	2	2	2	2	2	2	2	2	2	2	2	2	2	2	2
23970261	O RING, VITON	1	2.20	1	1	1	1	1	1	1	1	1	1	1	1	1	1	1	1	1	1
40159004	VALVE, DISC VITON	1	2.21	1	1	1	1	1	1	1	1	1	1	1	1	1	1	1	1	1	1
20010736	GASKET, MODULE	1	2.26	1	1	1	1	1	1	1	1	1	1	1	1	1	1	1	1	1	1
34861028	VALVE, NON-RETURN	1	3.11	1	1	1	1	1	1	1	1	1	1	1	1	1	1	1	1	1	1
23953004	SEAL, SHAFT, VITON	1	3.23	2	2	2	2	2	2	2	2	2	2	2	2	2	2	2	2	2	2
20010734	GASKET, FLAT	1	3.27	1	1	1	1	1	1	1	1	1	1	1	1	1	1	1	1	1	1
23973146	SEAL, FLOAT VITON	1	3.30	1	1	1	1	1	1	1	1	1	1	1	1	1	1	1	1	1	1
20009094	COUPLING ELEMENT	1	3.34	1	1	1	1	1	1	1	1	1	1	1	1	1	1	1	1	1	1
23970006	O RING, VITON	1	3.42	1	1	1	1	1	1	1	1	1	1	1	1	1	1	1	1	1	1
23970108	O RING, VITON	1	1.27/3.38	2	2	2	2	2	2	2	2	2	2	2	2	2	2	2	2	2	2
22161041	SPRING, S.S.	1	1.05		1	1								1	1						
35001179	SIGHT GLASS	1	1.21		1	1								1	1						
40175023	VALVE, PRESSURE RELIEF	1	3.01		1	1								1	1						
20009057	NOZZLE, OIL	1	3.02			1															
39350005	NOZZLE, OIL	1	3.02		1																
39350008	NOZZLE, OIL	1	3.02																		1
39350009	NOZZLE, OIL	1	3.02																		1
20010656	VANE, 2ND STAGE	1	3.04			2															
39350010	NOZZLE, SILENCING	1	3.08																		1
39350015	NOZZLE, SILENCING	1	3.08		1	1															1
22161031	SPRING, SPLIT, S.S.	1	3.10		1	1															1
40175017	VALVE, PLATE STAINLESS	1	3.12			1															
40175018	VALVE, PLATE	1	3.12																		1
40175019	VALVE, PLATE STAINLESS	1	3.12		1																1
20010655	VANE (1st-D16, 2nd-D25)	1	3.16		2	2															2
20010885	VANE, 1ST STAGE	1	3.16																		2
22161040	SPRING, S.S.	1	3.29		1	1															1
23192026	SLEEVE, SHAFT SEAL	1	3.38		1	1															1
<b>Other Spare Parts Available for These Pumps</b>																					
35111011	PLATE, REAR	1	3.03			X															X
32166168	ROTOR, 2ND STAGE	1	3.05			X															
32166169	ROTOR, 2ND STAGE	1	3.05																		X
26151138	PLATE, CENTER	1	3.15		1		1														
32166162	ROTOR, 1ST STAGE	1	3.17			X															
32166163	ROTOR, 1ST STAGE	1	3.17																		X
32166158	GEROTOR SET	1	3.43		X	X								X	X						X