

EDWARDS E2M80 PUMPS  
EXPLODED VIEW  
Figure 1

### Items supplied by  
GasFlo Products Inc

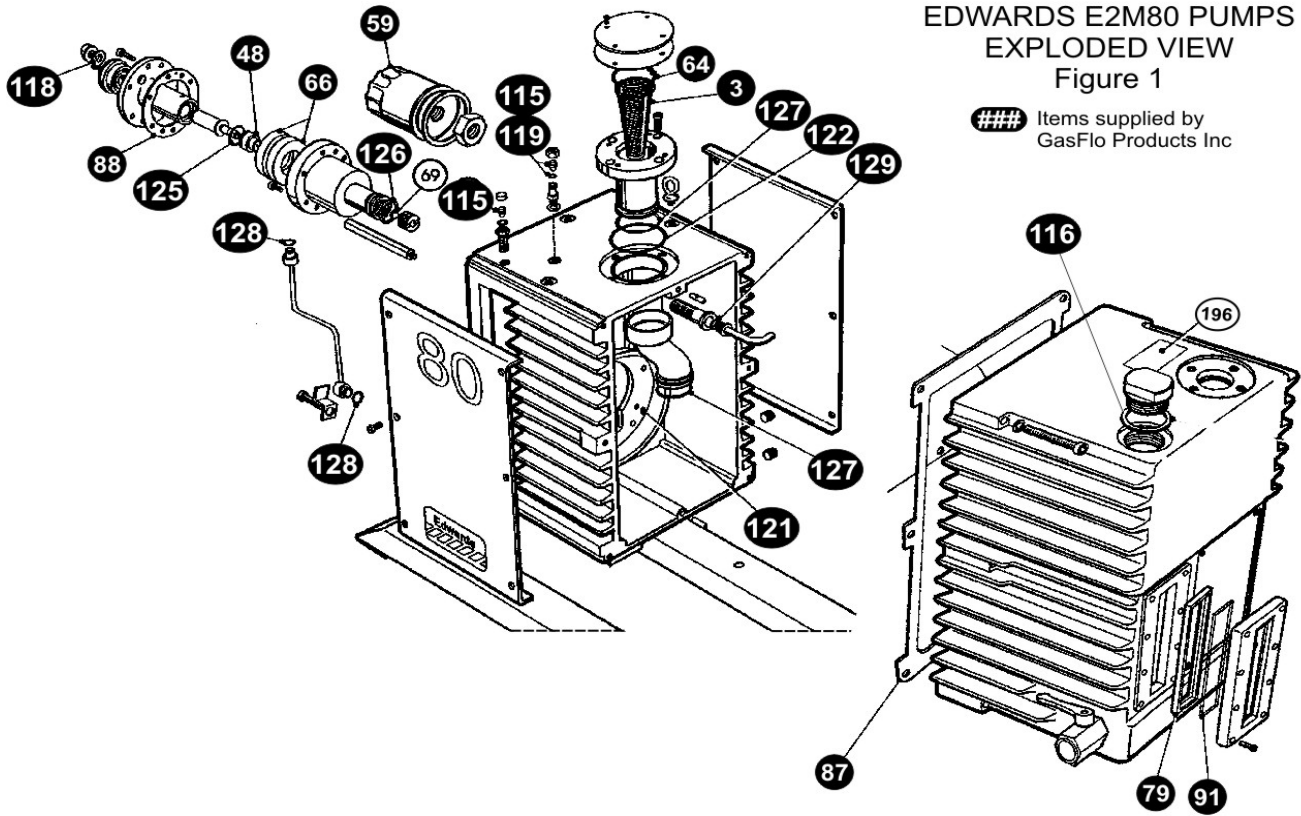
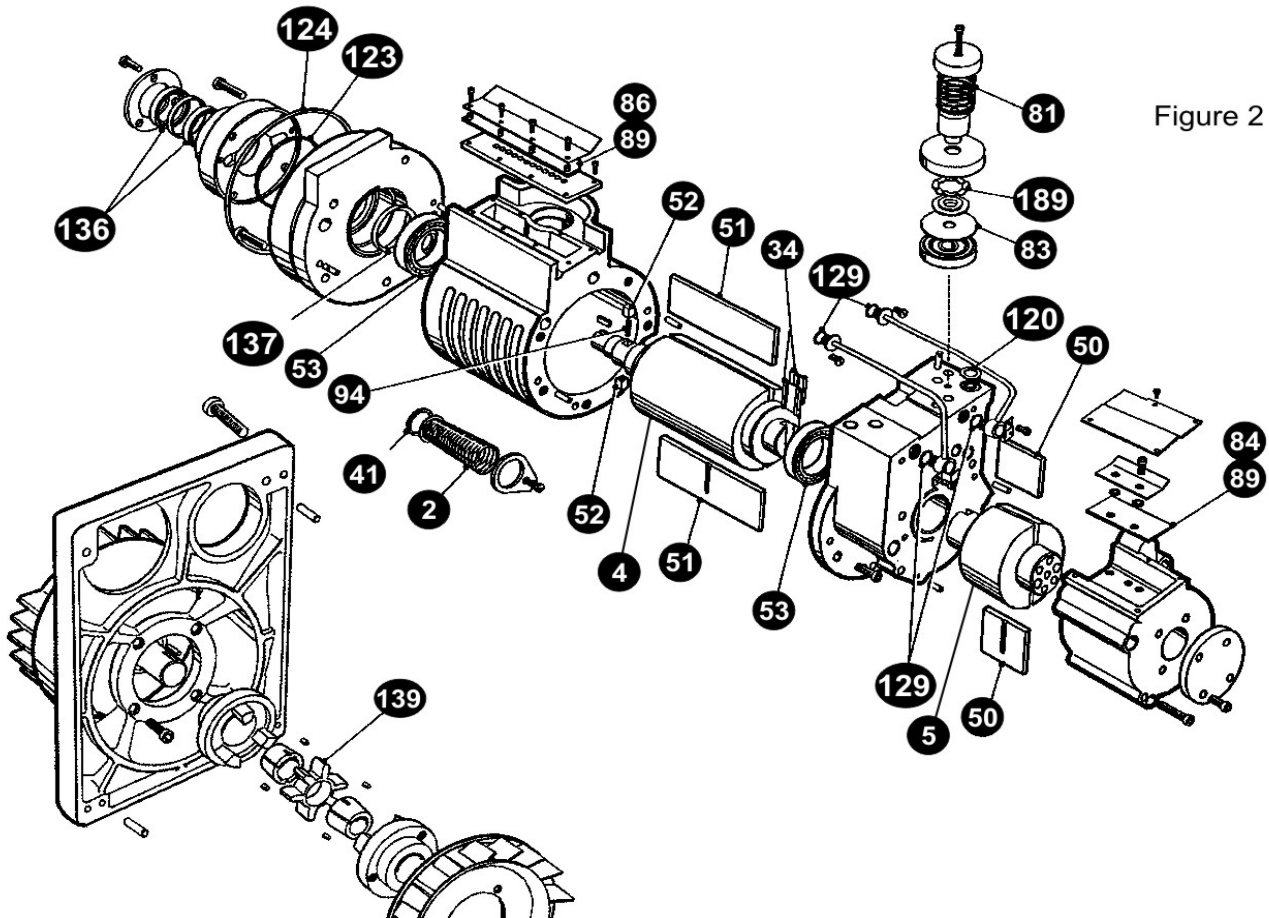


Figure 2





# E2M80 Parts & Kit List

part nr.	description	pkg qty	Dwg#	E2M80 Seal Kit 34501820	E1/2M80 C&O Kit 34501131	E1M80 Major Kit 34501814	E2M80 Major Kit 36501814
01403030	SEAL, OIL FILTER	1	41	1	1	1	1
22305041	FILTER, BALLAST FELT	2 pack	66	2	2	2	2
25904601	VALVE, BALLAST PTFE	1	69	1	1	1	1
26501012	SEAL, SIGHT GLASS	1	79	1	1	1	1
27159415	SEAL, VITON	1	83	1	1	1	1
27159541	VALVE, LV EXHAUST VITON	1	84	1	1	1	1
27159509	VALVE, HV EXHAUST VITON	1	86	1	1	1	1
27159618	GASKET, OIL BOX	1	87	1	1	1	1
27159428	GASKET, BODY VITON	1	88	1	1	1	1
02104001	SEAL, DOWTY	1	115	2	2	2	2
02104008	SEAL, DOWTY	1	116	1	1	1	1
02104002	SEAL, DOWTY	1	118	1	1	1	1
02120027	O RING, BUNA	1	119	1	1	1	1
02120031	O RING, BUNA	1	120	1	1	1	1
02124119	O RING, VITON	1	121	1	1	1	1
02120057	O RING, BUNA	1	122	1	1	1	1
02120082	O RING, BUNA	1	123	1	1	1	1
02120101	O RING, BUNA	1	124	1	1	1	1
02126011	O RING, VITON	1	125	1	1	1	1
02126020	O RING, VITON	2 pack	126	2	2	2	2
02125044	O RING, BUNA	2 pack	127	2	2	2	2
02125115	O RING, BUNA	2 pack	128	2	2	2	2
02125116	O RING, BUNA	5 pack	129	5	5	5	5
02109094	SEAL, SHAFT VITON	1	136	2	2	2	2
02109064	SEAL, SHAFT VITON	1	137	1	1	1	1
22305050	FILTER, OIL WIREMESH	1	2		1	1	1
22305035	FILTER, INLET WIREMESH	1	3		1	1	1
19201007	PISTON, BALLAST	1	48		1	1	1
22304041	FILTER, OIL SPIN ON	1	59		1	1	1
22426004	C-CLIP	1	64		1	1	1
27102013	SPRING, STAINLESS	1	81		1	1	1
27804004	SPACER, VALVE	2 pack	89		6	6	6
29201006	SIGHT GLASS	1	91		1	1	1
27102024	SPRING, OIL PUMP	1	94		1	1	1
21071033	COUPLING ELEMENT	1	139		1	1	1
218990201	WASHER, WAVED	1	189		1	1	1
27102012	SPRING, STAINLESS (old style)	1	xxx		1	1	1
36501024	MEMBER, DRIVE	1	34			2	2
20402628	VANE, 2ND STAGE PREVAIL	1	50				2
20402630	VANE, 1ST STAGE PREVAIL	1	51			2	2
20402418 P	VANE, OIL PUMP PREVAIL <sup>plus</sup>	1	52			2	2
20404012	BEARING, ROLLER	1	53			2	2
<b>Other Spare Parts Available for These Pumps</b>							
26401781	ROTOR, 1ST STAGE	1	4			1	1
26401742	ROTOR, 2ND STAGE	1	5			1	1