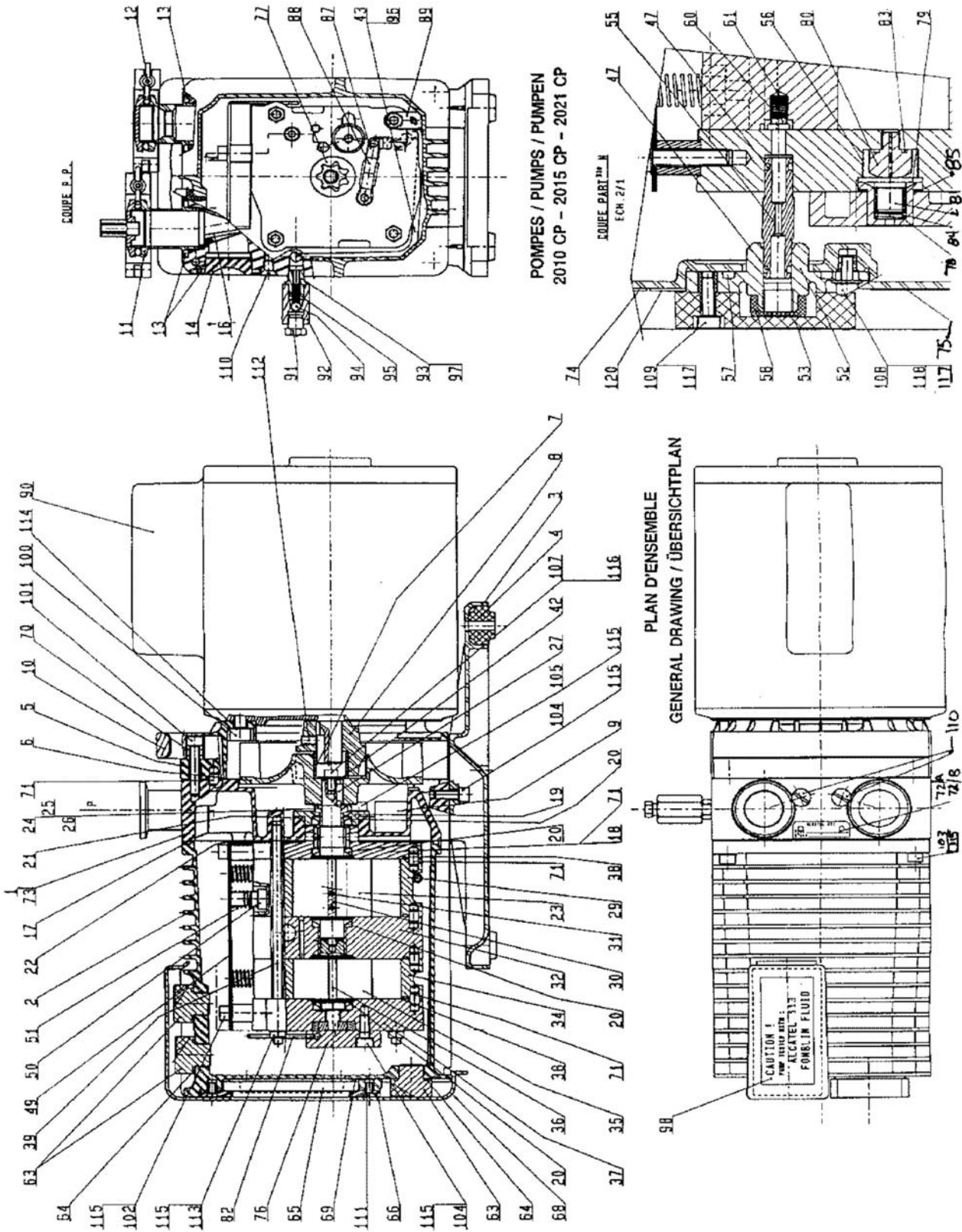




2010CP, 2015CP, 2021 CP (1st Gen.) Parts & Kit List





2010CP, 2015CP, 2021 CP (1st Gen.)

Parts & Kit List

part no.	description	pkg qty	dwg ref	ALL	Front	2010CP	2015CP	2021CP
				Minor 65611	Seal 65612F	Major 65609	Major 65614	Major 65616
52553	COUPLING ELEMENT	1	7	1		1	1	1
65794	PAD, FELT	1	9	1	1	1	1	1
82025	O RING, VITON	1	13	4		4	4	4
79148	O RING, VITON	1	17	1		1	1	1
82063	SEAL, SHAFT VITON	1	20	4	1	4	4	4
82014	O RING, VITON	1	21	1	1	1	1	1
65795	GASKET, CASE BEADED	1	22	1		1	1	1
82024	O RING, VITON	1	25	1		1	1	1
82007	O RING, VITON	1	25	1	1	1	1	1
79513	O RING, VITON	4-pack	38	4		4	4	4
82004	O RING, VITON	1	47	2		2	2	2
52655	VALVE, DISCHARGE VITON	4-pack	50	4		4	4	4
79509	O RING, VITON	1	57	1		1	1	1
65792	SLEEVE, GAS BALLAST VITON	1	58	1		1	1	1
65798	VALVE, ASB STEMMED VITON	1	60	1		1	1	1
82022	O RING, VITON	1	64	3		3	3	3
65789	GASKET, SIGHT GLASS	1	69	1		1	1	1
79516	O RING, VITON	1	69	1		1	1	1
65857	MEMBRANE, VITON	1	79	1		1	1	1
79537	O RING, VITON	1	83	1		1	1	1
84646	WASHER, WAVED	1	85	1		1	1	1
65861	VALVE, STEEL	1	87	1		1	1	1
82003	O RING, VITON	1	96	1		1	1	1
73453	WASHER, WAVED STEEL M5	1	116	1		1	1	1
73460	WASHER, WAVED S.S. M6	12-pack	115b	12		12	12	12
73452	WASHER, WAVED STEEL M4	4-pack	117	4		4	4	4
73304	WASHER, FLAT M5	2-pack	118	2		2	2	2
65823 N	RING, SH. Coated New Style	1	24		1	1	1	1
71067	KEY, SHAFT	1	27			1	1	1
65757	VANE, 1ST STAGE Prevail	1	30			2		
65758	VANE, 1ST STAGE Prevail	1	30				2	
65759	VANE, 1ST STAGE Prevail	1	30					2
53040	SPRING, VANE	8-pack	31			8	8	8
65834	VANE, 2ND STAGE Prevail ^{Plus}	1	36			2	2	2
52541	SPRING, EXHAUST VALVE	4-pack	51			4	4	4
65799	SPRING, ASB	1	61			1	1	1
82604	PLUG, PLASTIC DRAIN	1	63			3	3	3
65784	SIGHT GLASS, PLASTIC	1	65			1	1	1
65617	SPRING, ASB PISTON	1	84			1	1	1
87593	BALL, GAS BALLAST	1	94			1	1	1
65149	SPRING, GAS BALLAST	1	95			1	1	1
Other Spare Parts Available for These Pumps								
65801	ROTOR, 1ST STAGE COATED	1	23			1		
65802	ROTOR, 1ST STAGE COATED	1	23				1	
65803	ROTOR, 1ST STAGE COATED	1	23					1
65824	ROTOR, 2ND STAGE COATED	1	35			1	1	1
05-21 CS	BUSHING SET CARBON	1	X			x	x	x